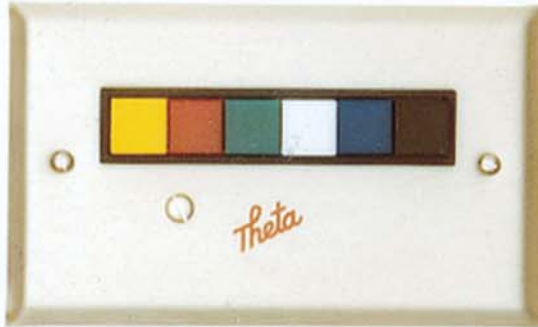


CRL 152 CRL 153 Lighting Push-Button Panel Five-Lite System

The CRL 152 Lighting Pushbutton Panel is a stainless steel recess wall mounted panel with one row of lighting pushbuttons and a black reset button for the Five-Lite System. A buzzer is built into the panel which sounds whenever a light is being lit from anywhere in the system.



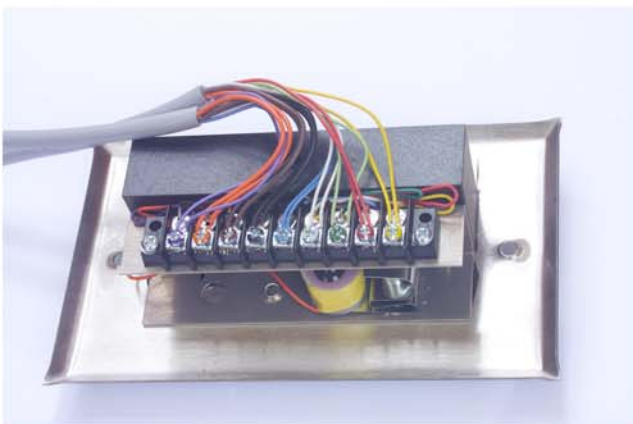
CRL 152 Lighting Pushbutton Panel

Mounting

The CRL 152 Lighting Pushbutton Panel mounts on a #42 Plaster Box or on a #22 Mounting Frame. The plaster box is used when there is open studding. The mounting frame is used when the walls already exist.

The CRL 153 Lighting Pushbutton Panel Cabinet Mount mounts in a cabinet or dental unit. No mounting hardware other than the four #6 X 1/2 " pan head screws provided is needed for installing these panels.

Wiring

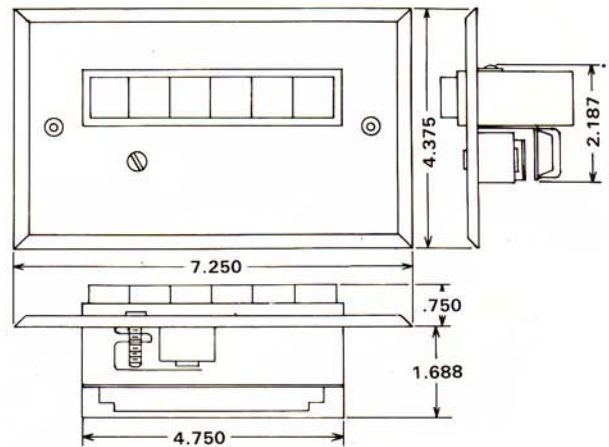


The CRL 152 Lighting Pushbutton Panel is wired to the rest of the Five-Lite System using Theta #89 cable. As the circuit may be continuing on to

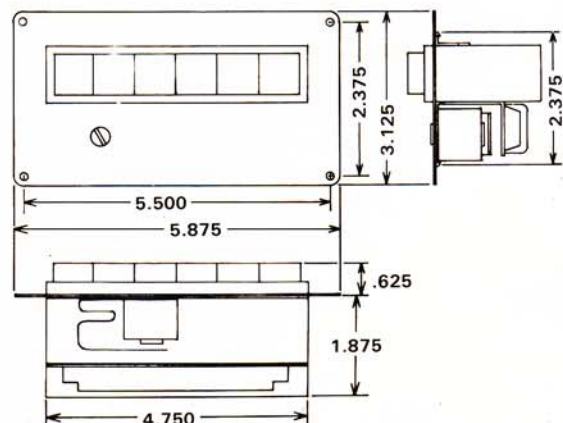
additional stations and often a branch circuit to a set of pushbuttons is connected to this panel, as many as four or five cables may be connected. About 4 inches of the outside jacket of the cable should be removed. The nine different colors of wires are matched to the terminal screw of the same color (match color of wire to color of terminal screw). Approximately 3/8 inch of insulation should be removed from the wire and all wires of the same color are then securely clamped under the square washer under the head of the terminal screw of the same color. Please note that the wires do not have to be wrapped around the screw.

Buzzer Adjust

The volume of the buzzer may be adjusted by turning the large buzzer adjust screw on the front of the panel. Turn clockwise to reduce sound and counter clockwise to increase sound. Hold down a pushbutton on the panel and turn the buzzer adjust screw *slowly* until you have the loudness you desire



CRL 152 Wall Mount



CRL 153 Cabinet Mount