

CRL 290 Tone Panel CRL 291 Tone Unit

The CRL 290 Tone Panel and the CRL 291 Tone Unit provide a tone rather than the buzz that is standard in the Ten-Lite System. They consist of a solid state integrated circuit, a speaker, and a power supply mounted in a metal case.

The CRL 290 Tone Panel is a stainless steel panel with beveled edges and a brushed finish that matches standard switch plates and other Theta Col-R-Lite panels. It is the size of the standard single gang switch plate. The panel has perforations in it to allow the sound through.

The CRL 291 Tone Unit is a utility model, housed in aluminum with mounting ears and perforations to allow the sound through.



CRL 290 TONE PANEL



CRL 291 TONE UNIT

The CRL 290 Tone Panel and the CRL 291 Tone Unit provide a clear pitch similar to the sound of an electronic organ note whenever a pushbutton is pressed anywhere in the system. The tone therefore sounds whenever a light is lit and may be sounded additional times by additional presses on the pushbutton that lit the light.

The CRL 290 Tone Panel and the CRL 291 Tone Unit may be used with the CRL 232 Lighting Pushbutton Bar or the CRL 234 Lighting Pushbutton Facia Plate for Cox Chairside 2. These components do not have a buzzer built in and, therefore, a separate buzzer (a CRL 238 Buzzer Panel or a CRL 239 Buzzer Unit) or a tone (a CRL 290 Tone Panel or a CRL 291 Tone Unit) is used with them.

The CRL 290 Tone Panel or the CRL 291 Tone Unit may be used to replace the buzzer in any room that has one of the Ten-Lite Panels. When used with a Ten-Lite Panel the buzzer in the panel is adjusted by turning the adjustment screw until it cannot be heard. The CRL 290 Tone Panel is usually mounted on the wall next to the panel; however, it may be located anywhere in the room that it can be heard. The CRL 291 is usually mounted under a counter or shelf where it will be out of sight but can be heard.

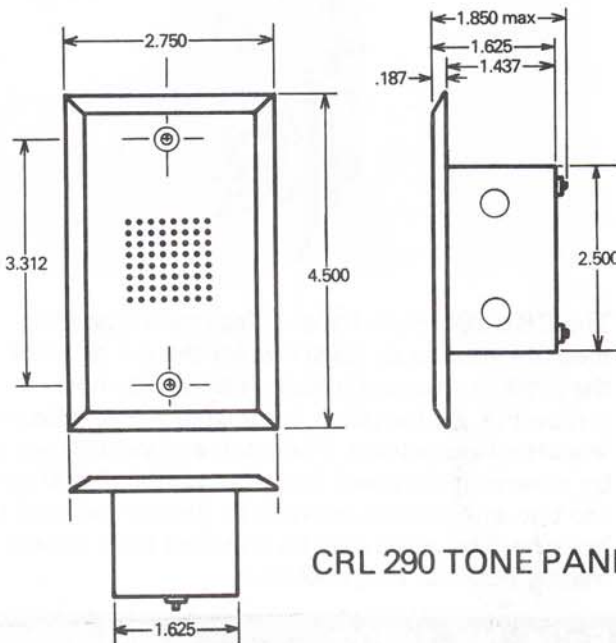
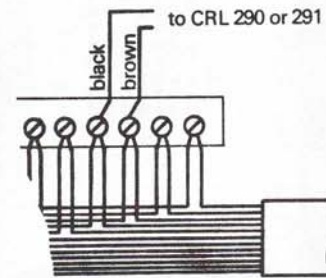
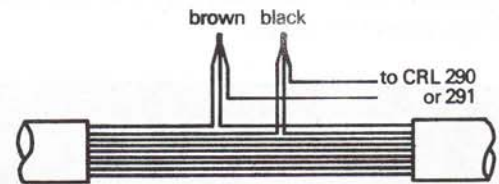


The CRL 290 Tone Panel is factory adjusted to medium volume at 1500 Hz. (cycles per second). As the pitch is adjusted higher, it becomes more noticeable. As the pitch is adjusted lower it becomes less attention-getting. The pitch and volume are set by removing the panel from the wall and adjusting the two screwdriver controls in the right side of the housing. The pitch may be adjusted from approximately 500 Hz. to 5,000 Hz.

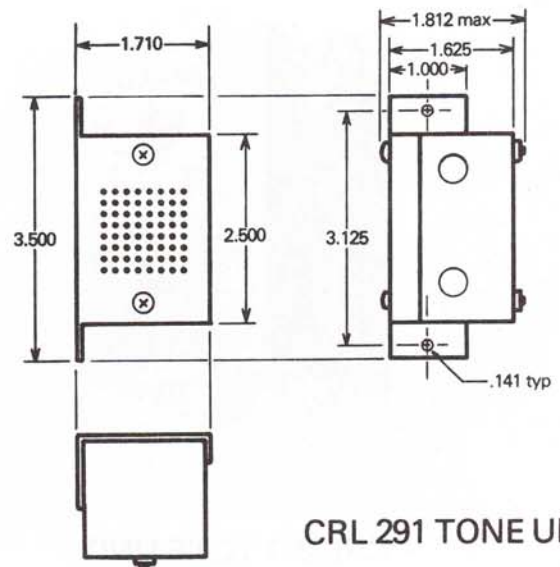
The CRL 290 Tone Panel is intended to be mounted in a standard one gang switch box. It is best if this box is installed in the wall before the dry wall, plaster or paneling is installed. However, "old work" boxes are available for existing walls. The two wires from the CRL 290 Tone Panel are colored brown and black and must be connected to the brown and black wires of the Ten-Lite System. The No. 84, fourteen conductor cable, from the Ten-Lite System may be routed through the box and the brown and black wires from the CRL 290 Tone Panel spliced to the brown and the black wires in the cable. If it is more convenient, the brown and black wires from the CRL 290 Tone Panel may be spliced to a length of two conductor cable such as Theta No. 82 cable. This cable would be routed to the nearest panel in the Ten-Lite System where it would be connected to the orange and the brown terminal screws.

After the electrical connections have been made, the CRL 290 Tone Panel is mounted to the switch box using the two #6-32 x 3/4" screws supplied.

The CRL 291 Tone Unit is intended to be mounted to the underside of a shelf or counter. Two No. 6 x 3/4" tapping screws are provided to mount the unit. Normally the No. 84, fourteen conductor cable, from the Ten-Lite System is near the location where the CRL 291 is mounted. The brown and the black wires from the CRL 291 Tone Unit are spliced to the brown and the black wires in the cable. If it is more convenient, the brown and the black wires from the CRL 291 Tone Unit may be spliced to a length of two conductor cable such as Theta No. 82 cable. This cable would be routed to the nearest panel in the Ten-Lite System where it would be connected to the brown and the black terminal screws.



CRL 290 TONE PANEL



CRL 291 TONE UNIT